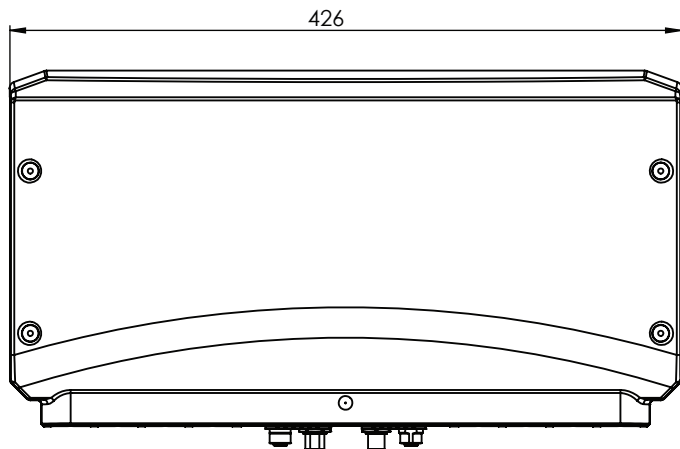


DIMENSIONS (mm)



Lynx Ion bms

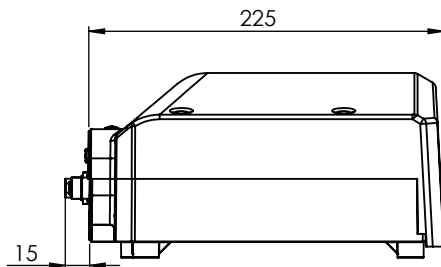
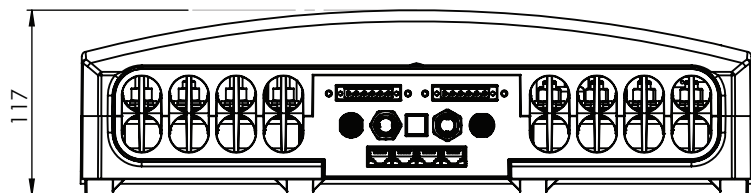
Battery management controller

MANUAL

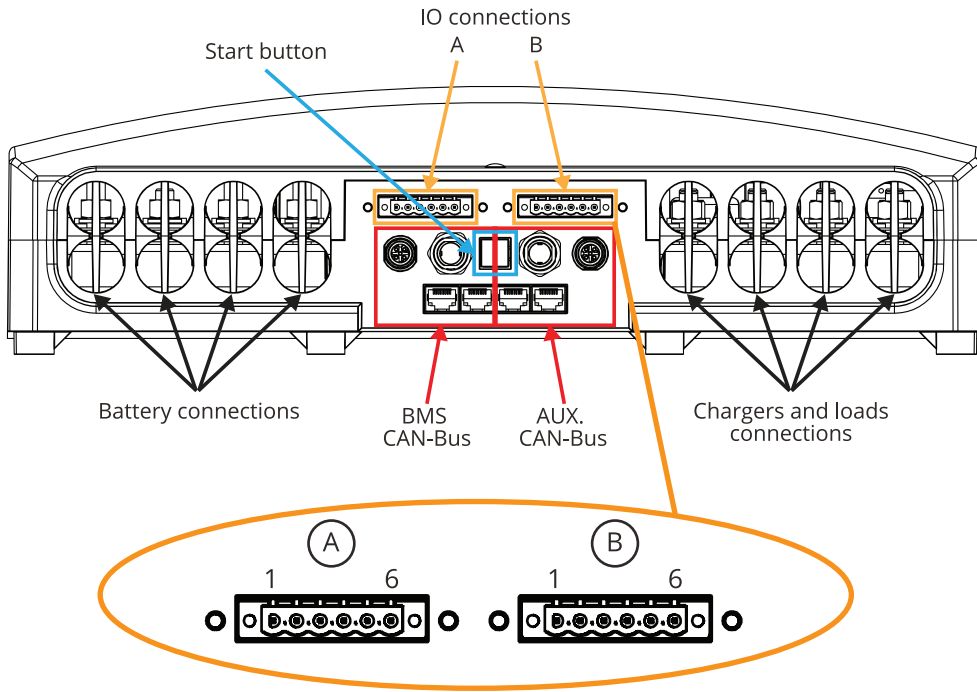
Read the manual before connecting the Lynx Ion bms.
The manual can be found on the website of Victron Energy:

<https://www.victronenergy.com/battery-monitors>

Choose “Lynx Ion bms” as product and check the manual.

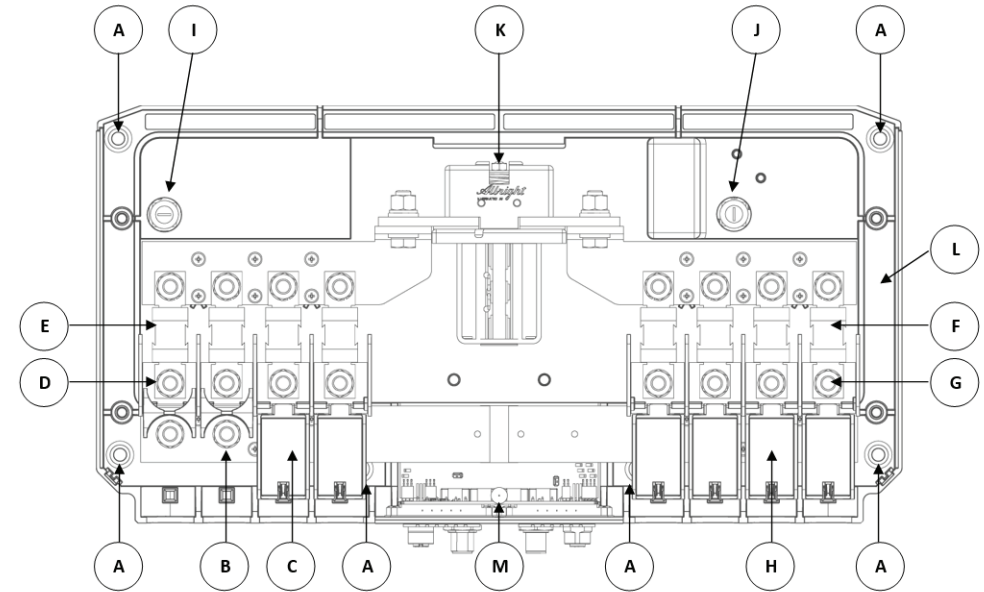


CONNECTION OVERVIEW OF THE LYNX ION BMS



Connector pins and specifications					
Conn.	Pin	I/O	Voltage	Current	Purpose
A	1	Out	13,5 V	1 A	Aux. power output
	2	Out	13,5 V	1 A	Allow -to-Charge
	3	Out	13,5 V	1 A	Allow -to-Discharge
	4	In			External start button
	5	Out	13,5 V	140 mA	External status output
	6	-			GND
B	1	Out	Max. 60 VDC	0,8 A @ 60 VDC	Allow -to-charge
	2				
	3	Out	Max. 60 VDC	0,8 A @ 60 VDC	Allow -to-discharge
	4				
	5	Out	Max. 60 VDC	0,8 A @ 60 VDC	Programmable output
	6				

INSIDE THE LYNX ION BMS



Part	Description
A	Mounting holes
B	'-' minus battery connections (M8 bolt connections)
C	Plastic insulation part
D	'+' positive battery connections (M8 bolt connections)
E	Battery side fuses
F	Loads/Chargers side fuses
G	'+' positive Loads/Chargers connections (M8 bolt connections)
H	'-' minus Loads/Chargers connections (below plastic insulator) (M8 bolt connections)
I	Fuse of main control unit (Fuse 5X20mm Fast acting 250V 6,3A ; Eska: 520.525)
J	Pre-charge fuse (Fuse 5X20mm Fast acting 250V 10A ; Eska: 520.527)
K	Safety contactor (can be 150A/400A/600A/1000A)
L	Bluetooth Smart (NFC antenna)
M	Status LED